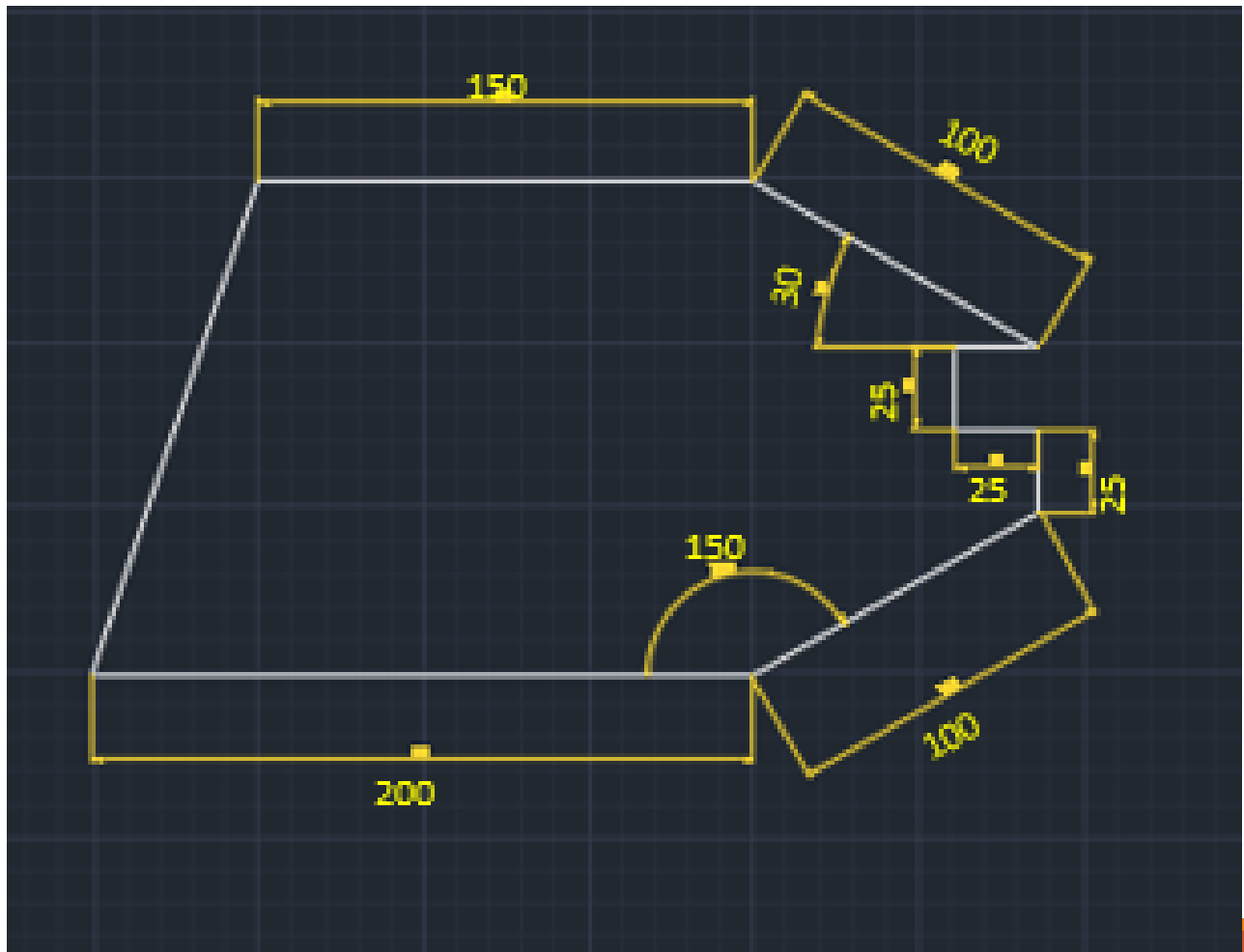
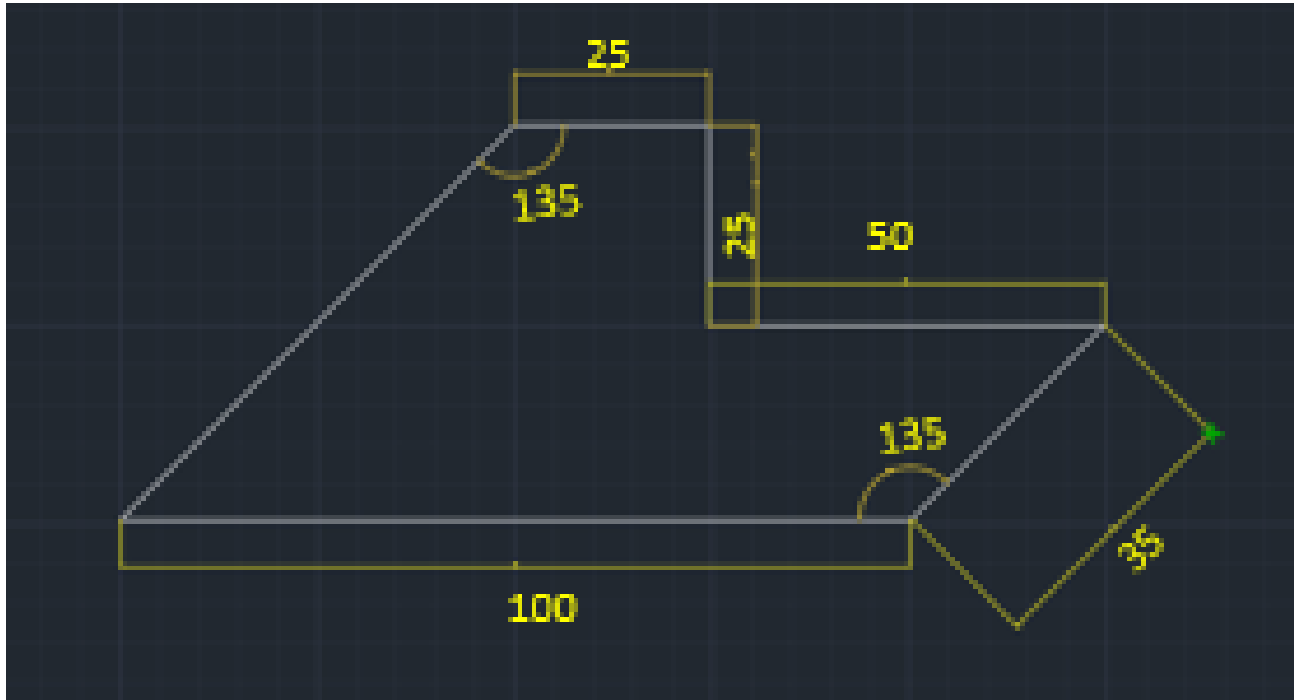
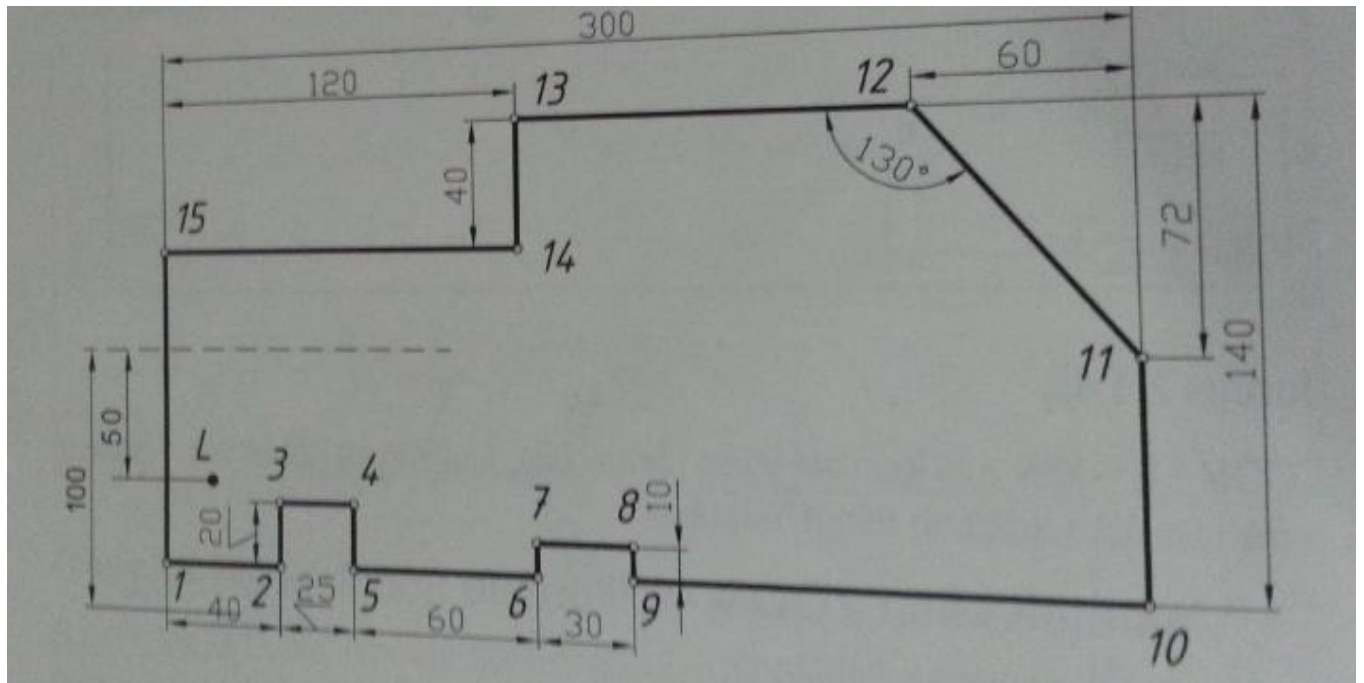


HARJUTUSED:





## PÕHIOBJEKTID JA CommandLINE

### RINGJOON Окружность

Command: CIRCLE

Specify center point for circle or [3P/2P/Ttr (tan tan radius)]: 100,100

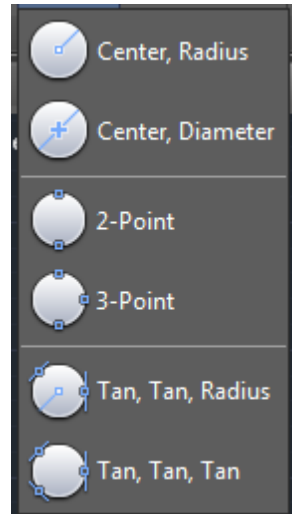
Specify radius of circle or [Diameter] <34.6523>: 75

Command: CIRCLE

Specify center point for circle or [3P/2P/Ttr (tan tan radius)]: 0,0

Specify radius of circle or [Diameter] <75.0000>: D

Specify diameter of circle <150.0000>: 100



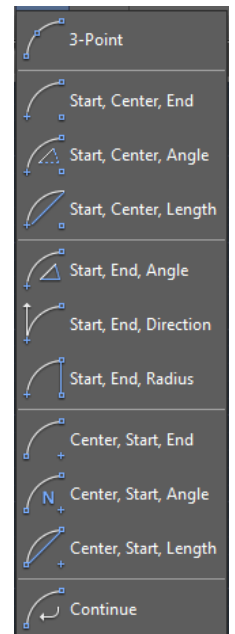
### KAAR Дуга

Command: ARC

Specify start point of arc or [Center]: 100,100

Specify second point of arc or [Center/End]: @150,100

Specify end point of arc:



### RISTKÜLIK Прямоугольник

Command: \_rectang

Specify first corner point or [Chamfer/Elevation/Fillet/Thickness/Width]: 100,100

Specify other corner point or [Area/Dimensions/Rotation]: 500,500

## HULKNUK Многоугольник

Command: `_polygon`

Enter number of sides <4>: 5

Specify center of polygon or [Edge]: 100,100

Enter an option [Inscribed in circle/Circumscribed about circle] <I>: i

Specify radius of circle: 100

Command: `_polygon` Enter number of sides <5>: 3

Specify center of polygon or [Edge]: e

Specify first endpoint of edge: 500,500

Specify second endpoint of edge: 900,500



HARJUTUSED:

