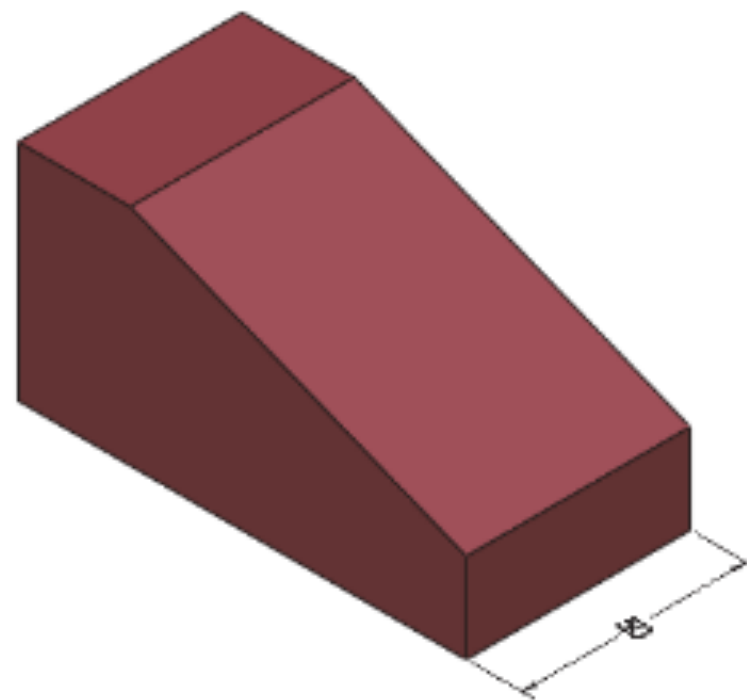
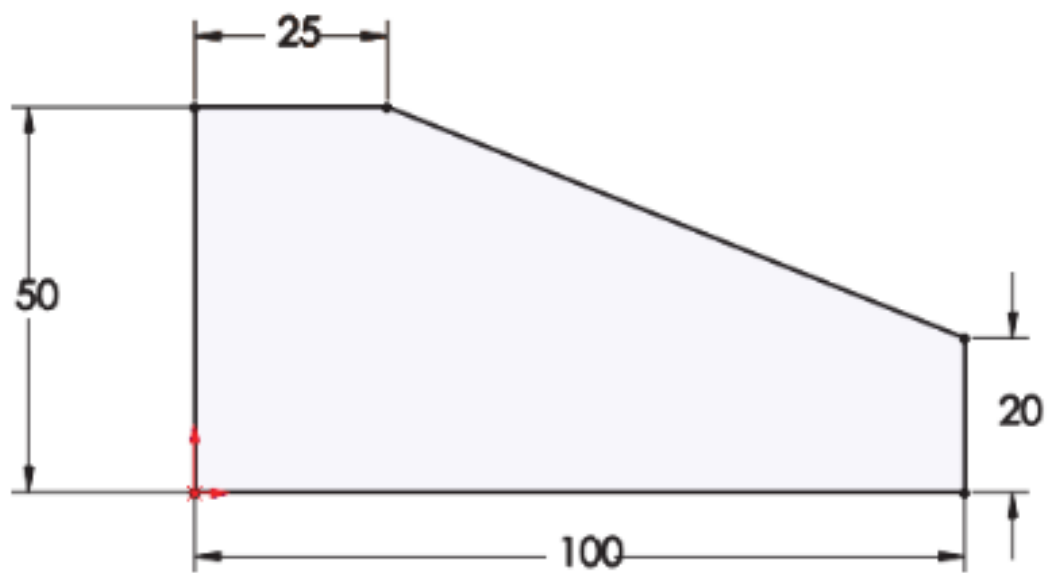
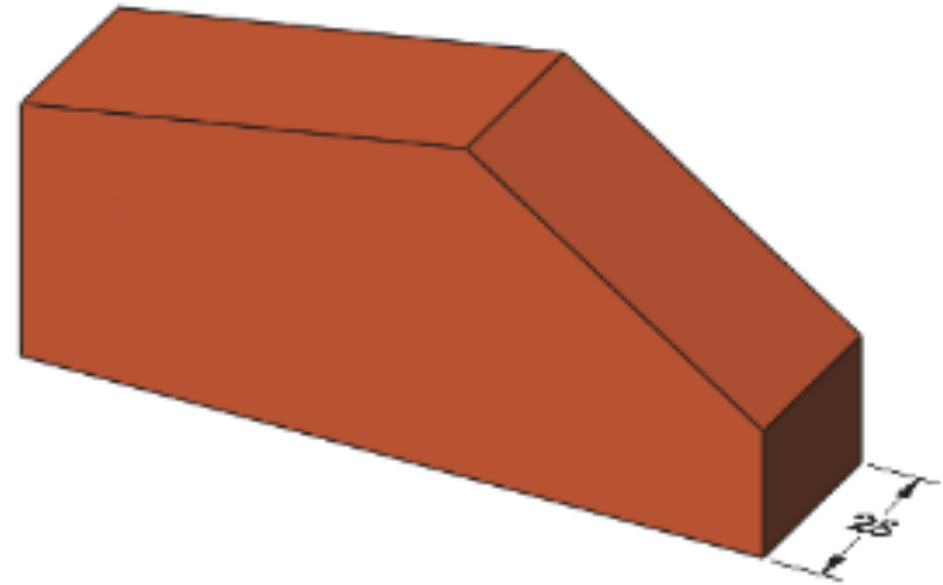
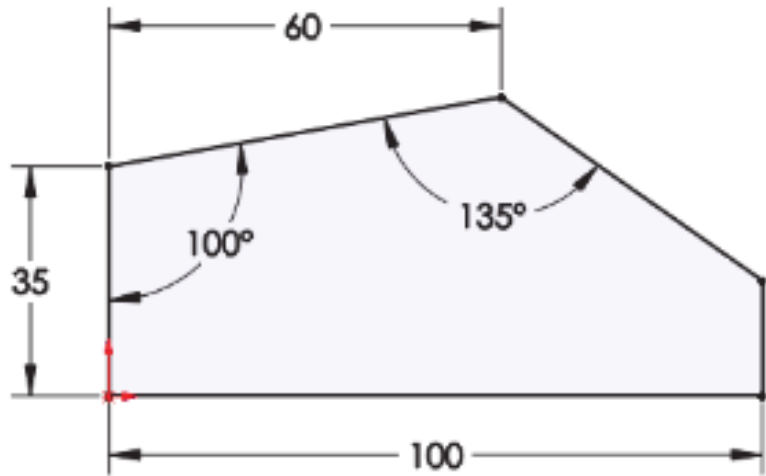


Näide

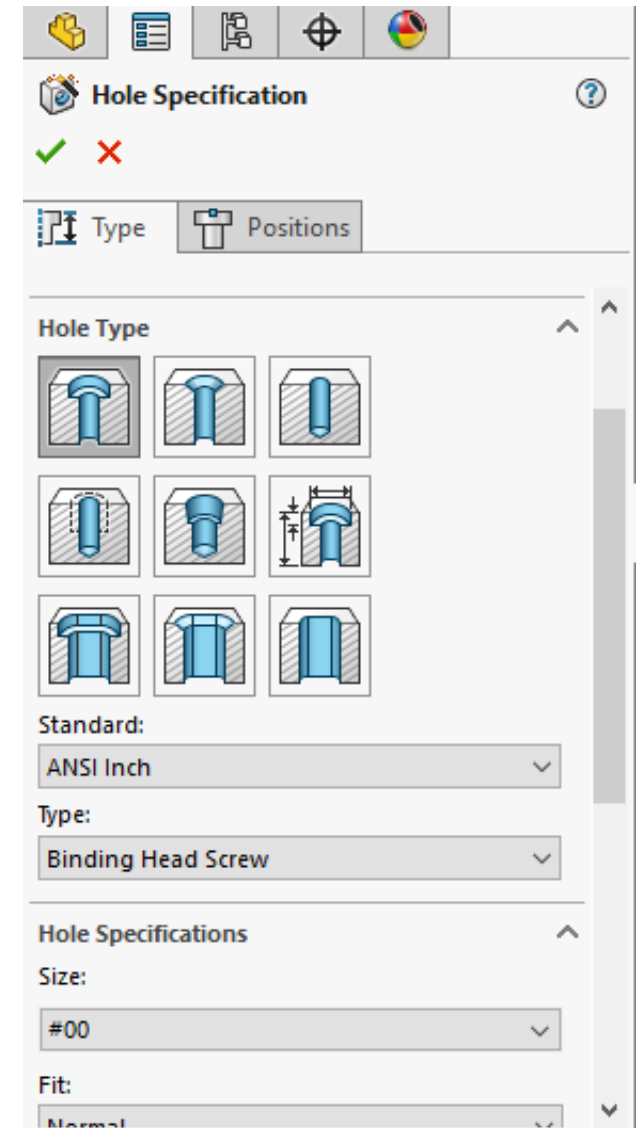


Loengu harjutus

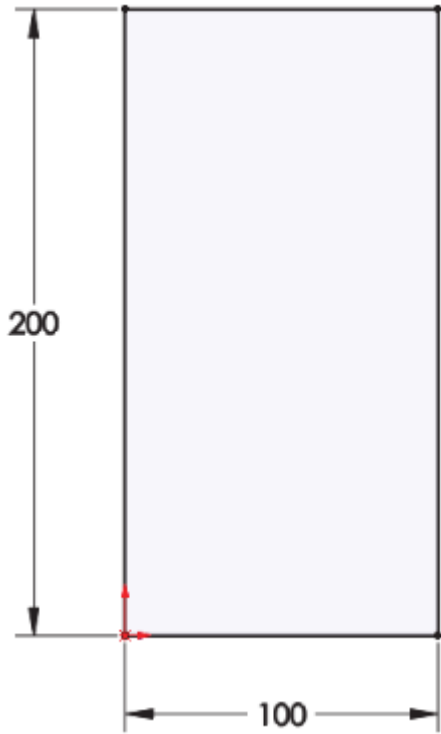
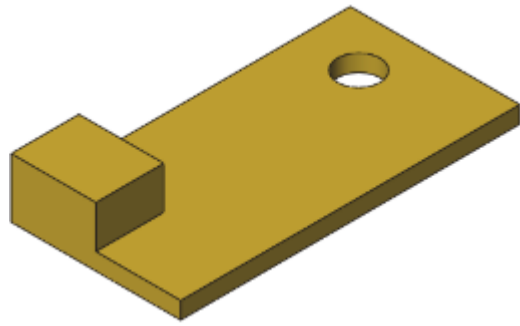


Avad

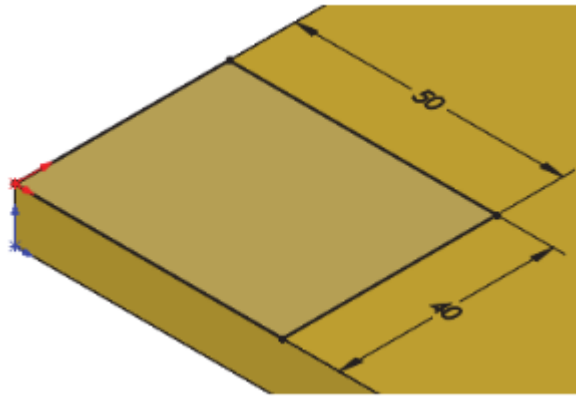
- Features--Hole Wizard, Advanced Hole, Thread
- Vali ava omadused ja asukoht, klõpsa OK



Näide




Extrude 10mm



Extrude
25mm

Hole Wizard.

Click **Hole Wizard**  and click the face shown.

Click the **Type** tab. Set the properties of the hole as follows:

Type: Hole

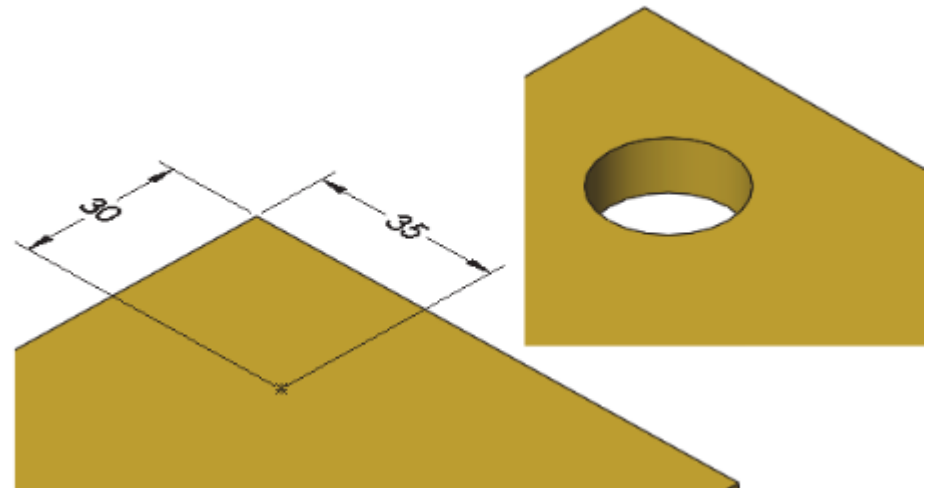
Standard: Ansi Metric

Type: Drill sizes

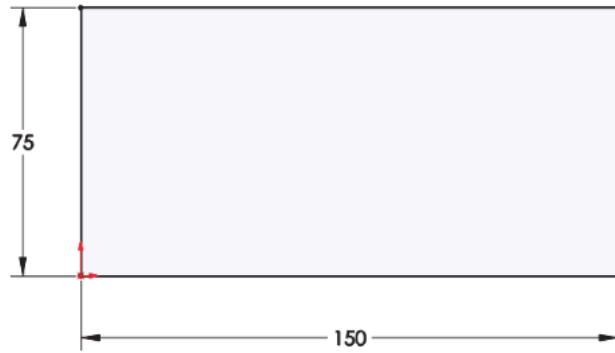
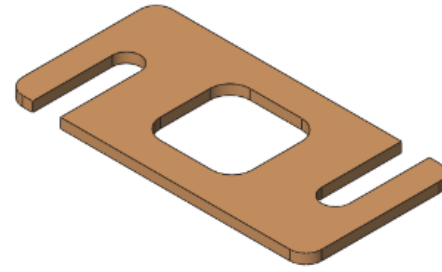
Size: 25mm

End Condition: Through All

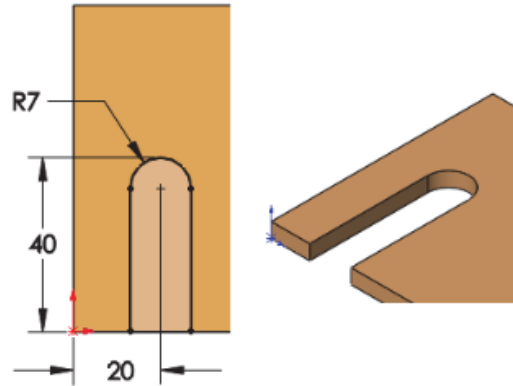
Click the **Positions** tab. Place the points as shown.



Loengu harjutus

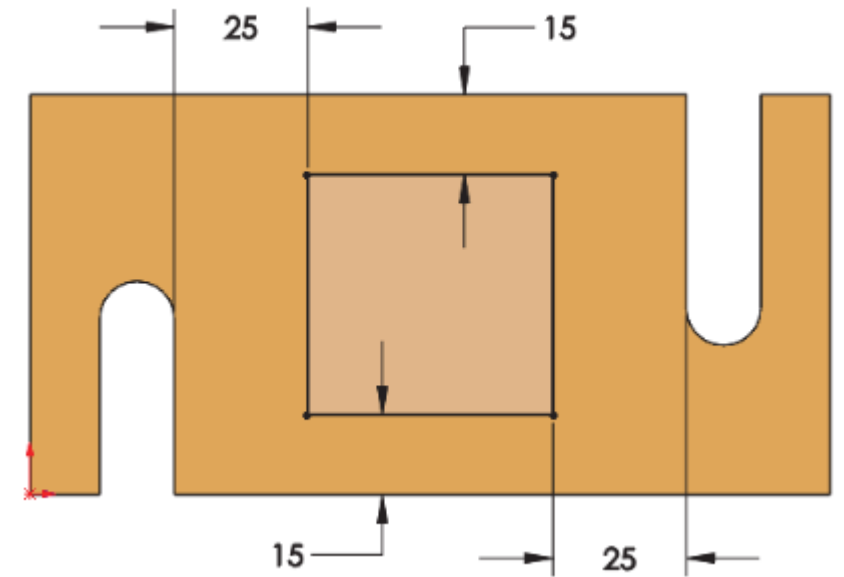


Extrude 5mm



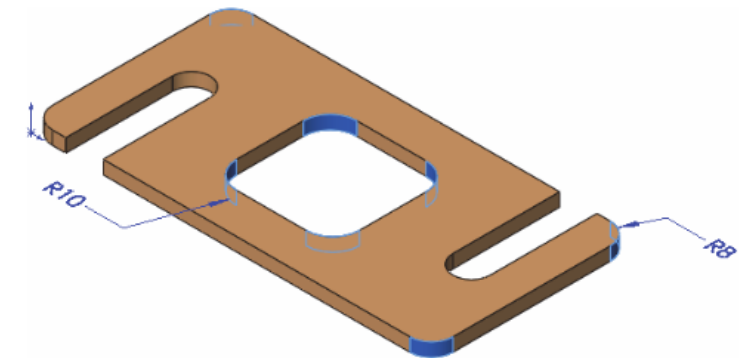
Extrude-Through ALL

Extrude another cut using **Through All**.



Fillets.

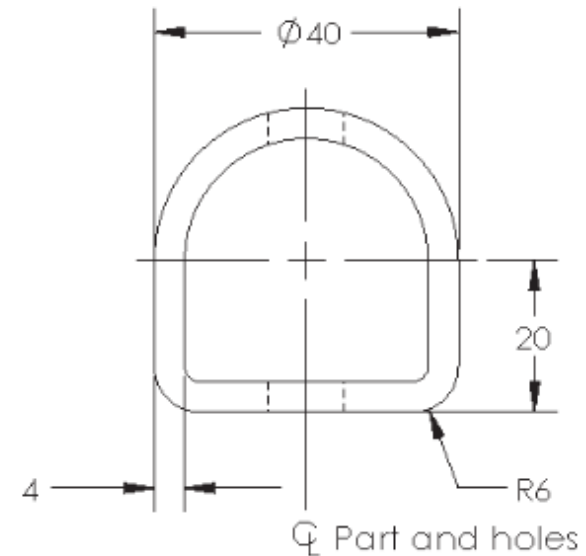
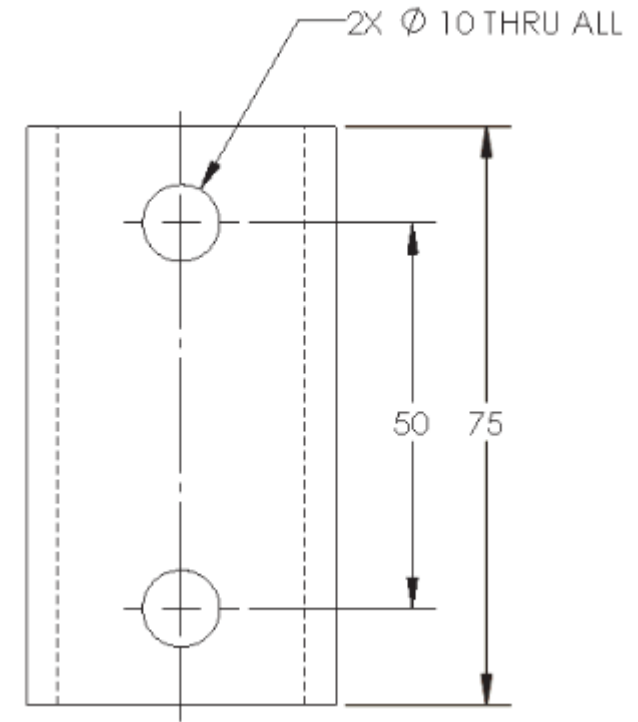
Add fillets of **R10mm** and **R8mm** to the edges as shown.



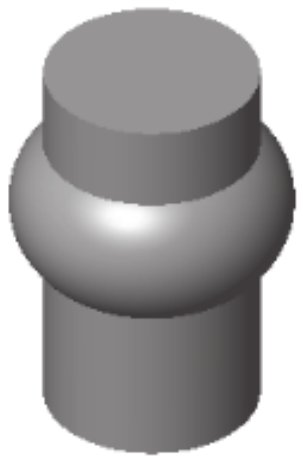
Loengu harjutus

Sümmeetria ja nihutamine

- Antud järgmised tehnilised andmed,
- Loo 3d Mudel



Pööratud kehad (Feature--Revolved)



- Loo kontuur pööramiseks
- Vali Feature--Revolved

